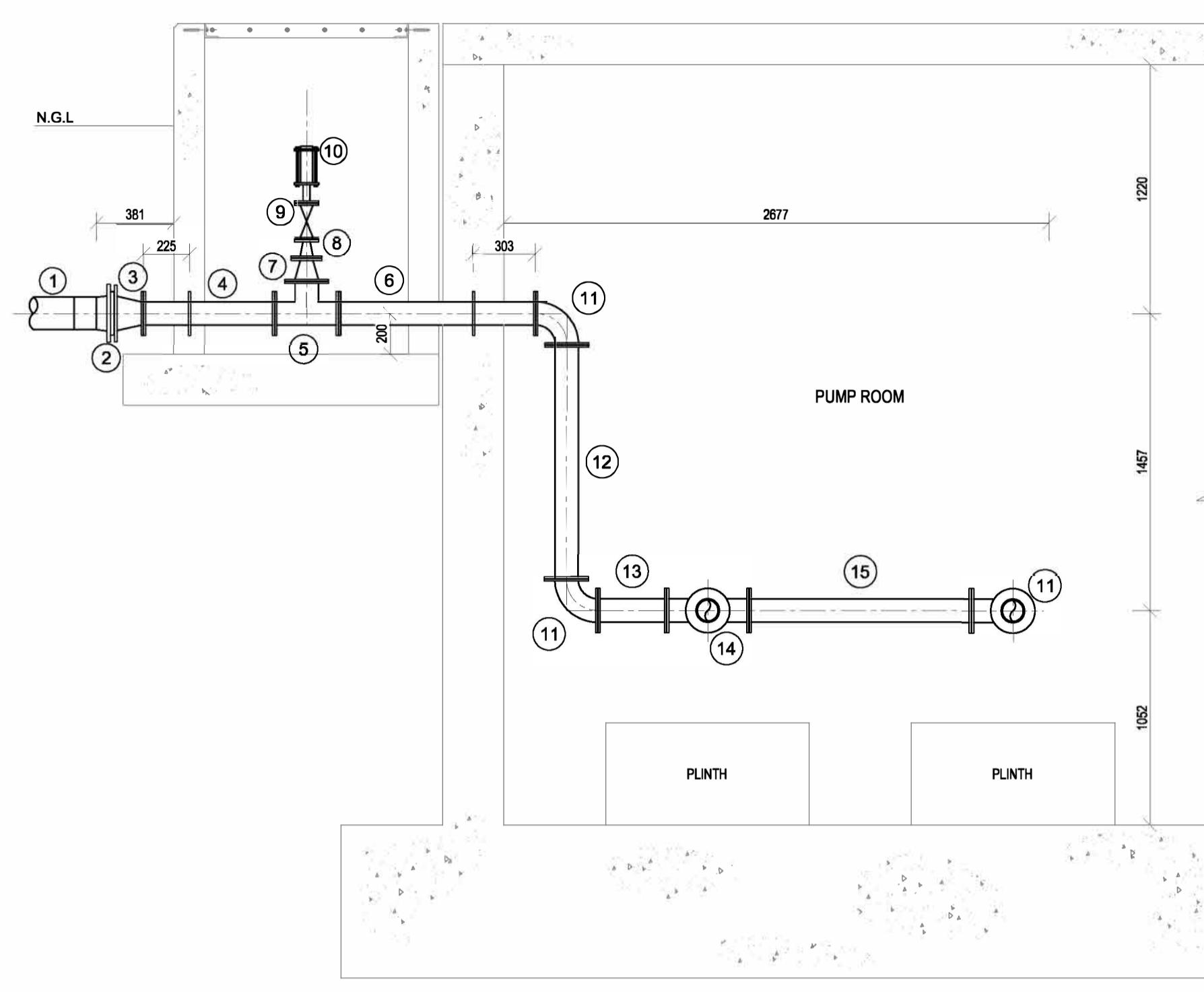
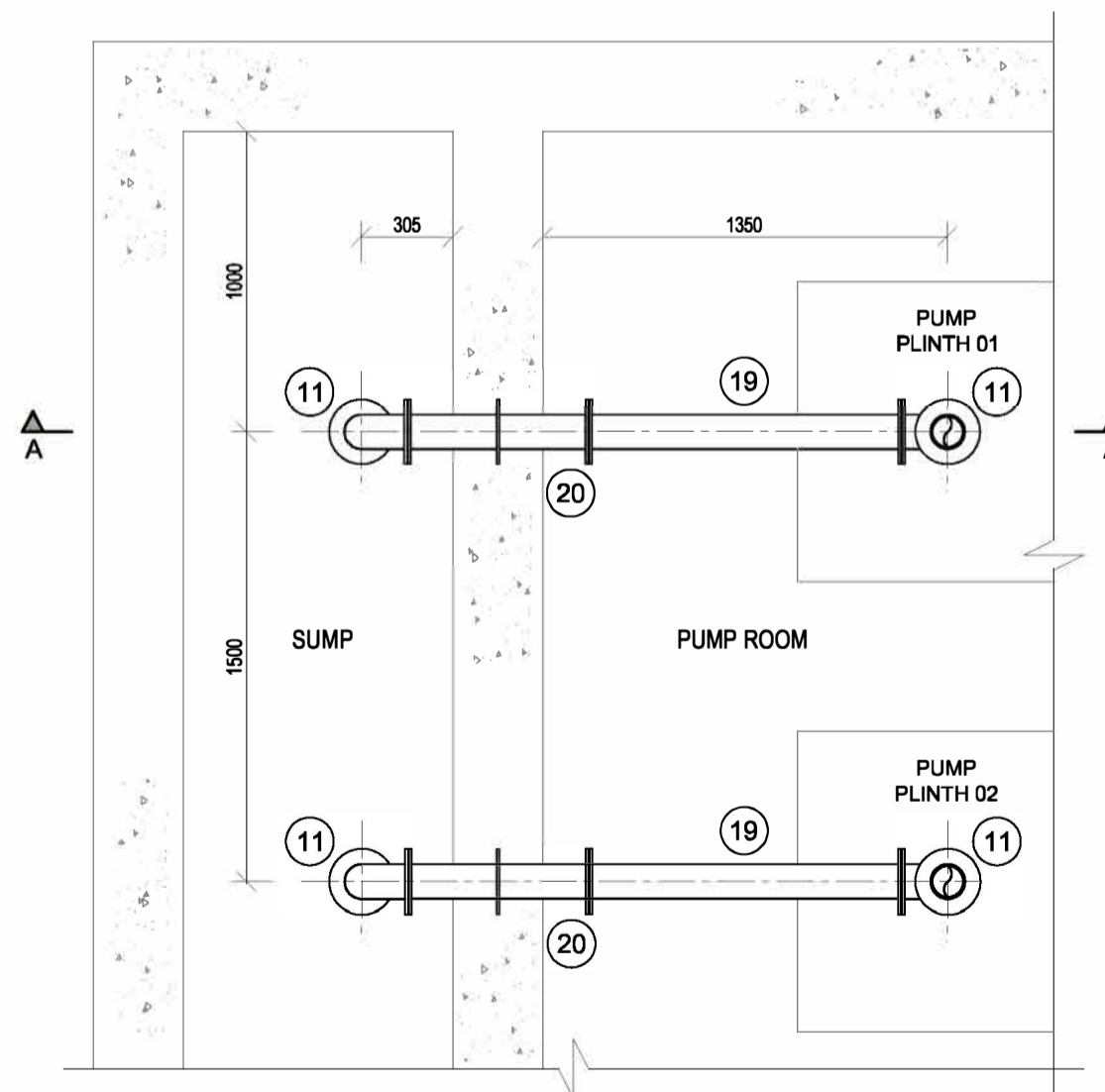


DELIVERY PIPE : PLAN VIEW
SCALE 1 : 25



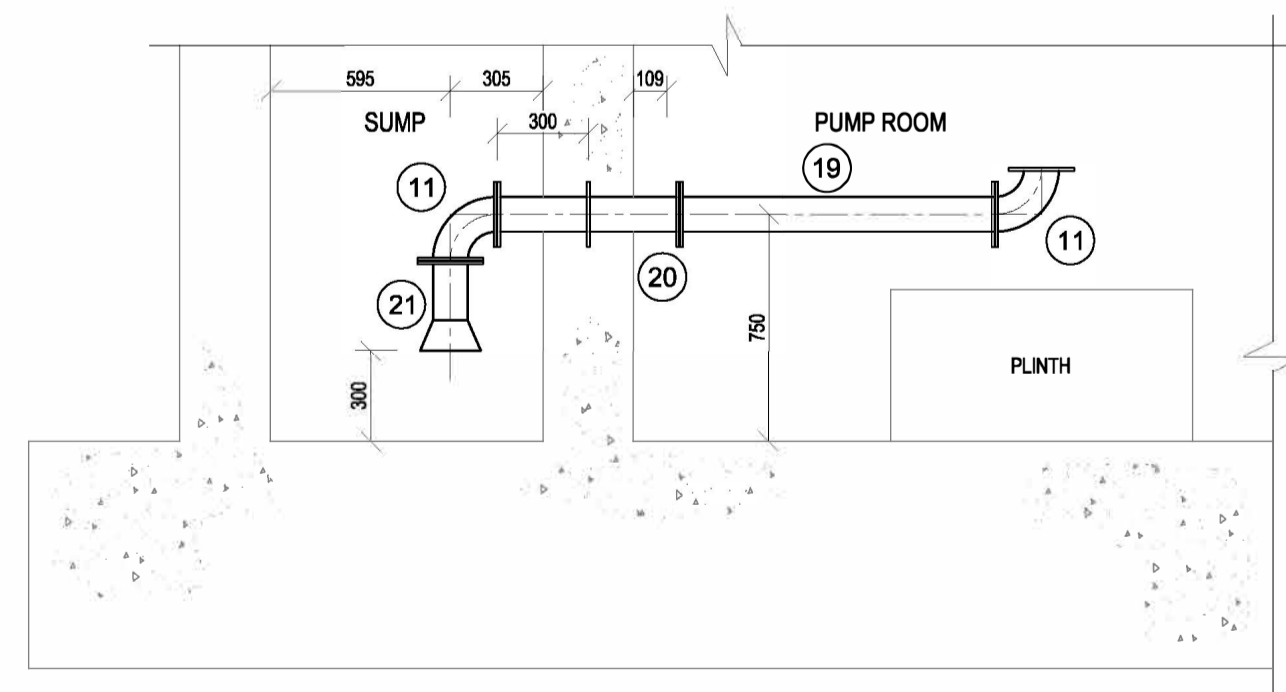
DELIVERY PIPE : SECTION B-B
SCALE 1 : 25

DELIVERY PIPE SCHEDULE				
ID	QTY	SIZE	DESCRIPTION	LENGTH
1	N/A	160mm Ø	HDPE; PE100; PN16 RISING MAIN	n/a
2	1	160mm Ø	HDPE LONG STUB FLANGE WITH BACKING RING / BUTT WELD	n/a
3	1	150 x 100mm	FLANGED STEEL REDUCER	n/a
4	1	100mm Ø	FLANGED DISTANT PIECE WITH PUDDLE FLANGE	640mm
5	1	100mm Ø	FLANGED EQUAL TEE	n/a
6	1	100mm Ø	FLANGED DISTANT PIECE WITH PUDDLE FLANGE	960mm
7	1	100 x 50mmØ	FLANGED REDUCER	n/a
8	1	50 x 25mmØ	FLANGED REDUCER	n/a
9	1	25mmØ	FLANGED BALL VALVE (BALL COCK)	n/a
10	1	25mmØ	VENT-OMAT; SERIES RBX, MODEL NO: RBX 2511 OR SIMILAR APPROVED, DN25 (25mmØ) DOUBLE ORIFICE AIR-RELEASE VALVE WITH SHOCK MECHANISM.	n/a
11	3	100mm Ø x 90°	FLANGED LONG RADIUS ELBOW	n/a
12	1	100mm Ø	FLANGED DISTANT PIECE	1145mm
13	1	100mm Ø	FLANGED DISTANT PIECE	330mm
14	1	100mm Ø	FLANGED SWEEPING TEE	n/a
15	1	100mm Ø	FLANGED DISTANT PIECE	1094m
16	2	100mm Ø	FLANGED GATE VALVE	n/a
17	2	100mm Ø	FLANGED NON RETURN VALVE (BALL CHECK)	n/a
18	2	100mm Ø	FLANGED DISTANT PIECE	150mm



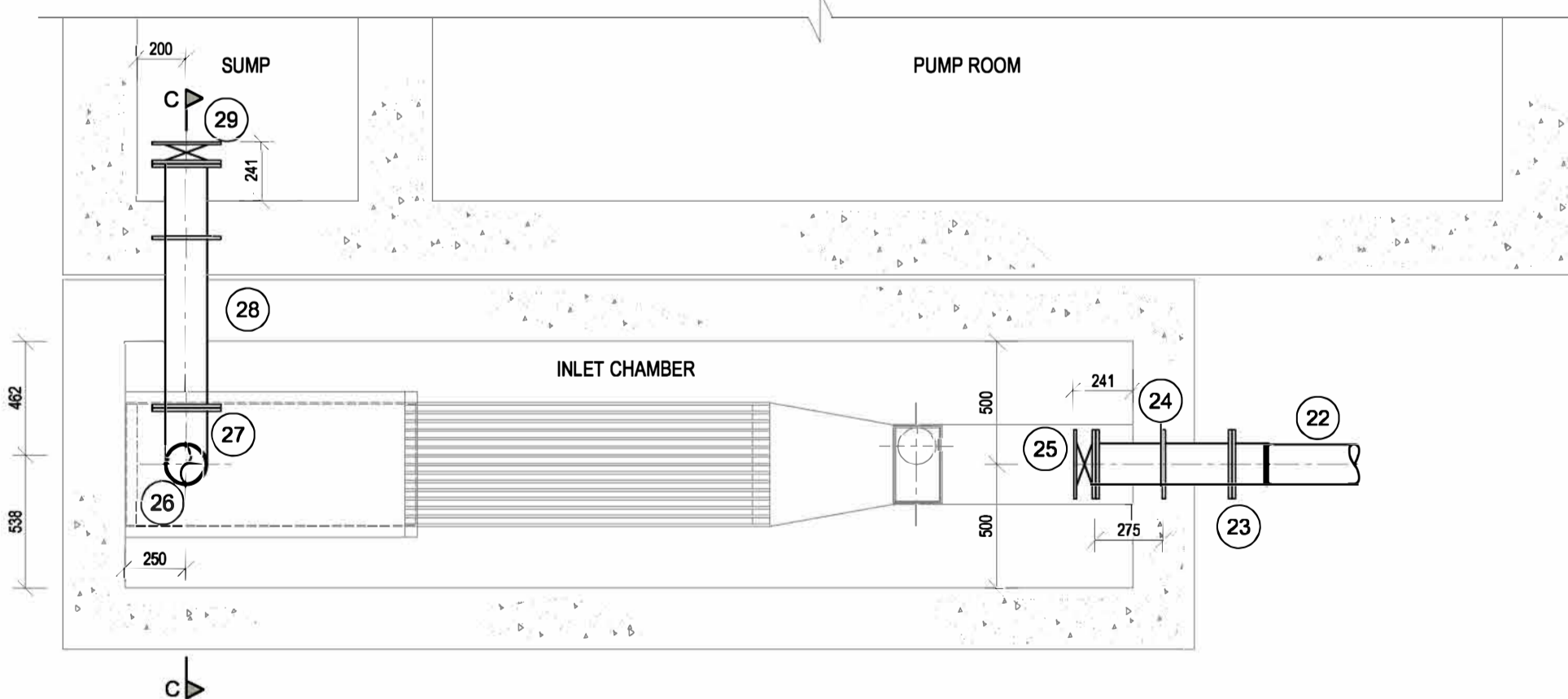
SUCTION PIPE : PLAN VIEW
SCALE 1 : 25

SUCTION PIPE SCHEDULE				
ID	QTY	SIZE	DESCRIPTION	LENGTH
11	4	100mm Ø x 90°	FLANGED LONG RADIUS ELBOW	n/a
19	2	100mm Ø	FLANGED DISTANT PIECE	1040mm
20	2	100mm Ø	FLANGED DISTANT PIECE WITH PUDDLE FLANGE	600mm
21	2	100mm Ø	PIPE BY 250mm Ø FLANGED BEVEL	300mm

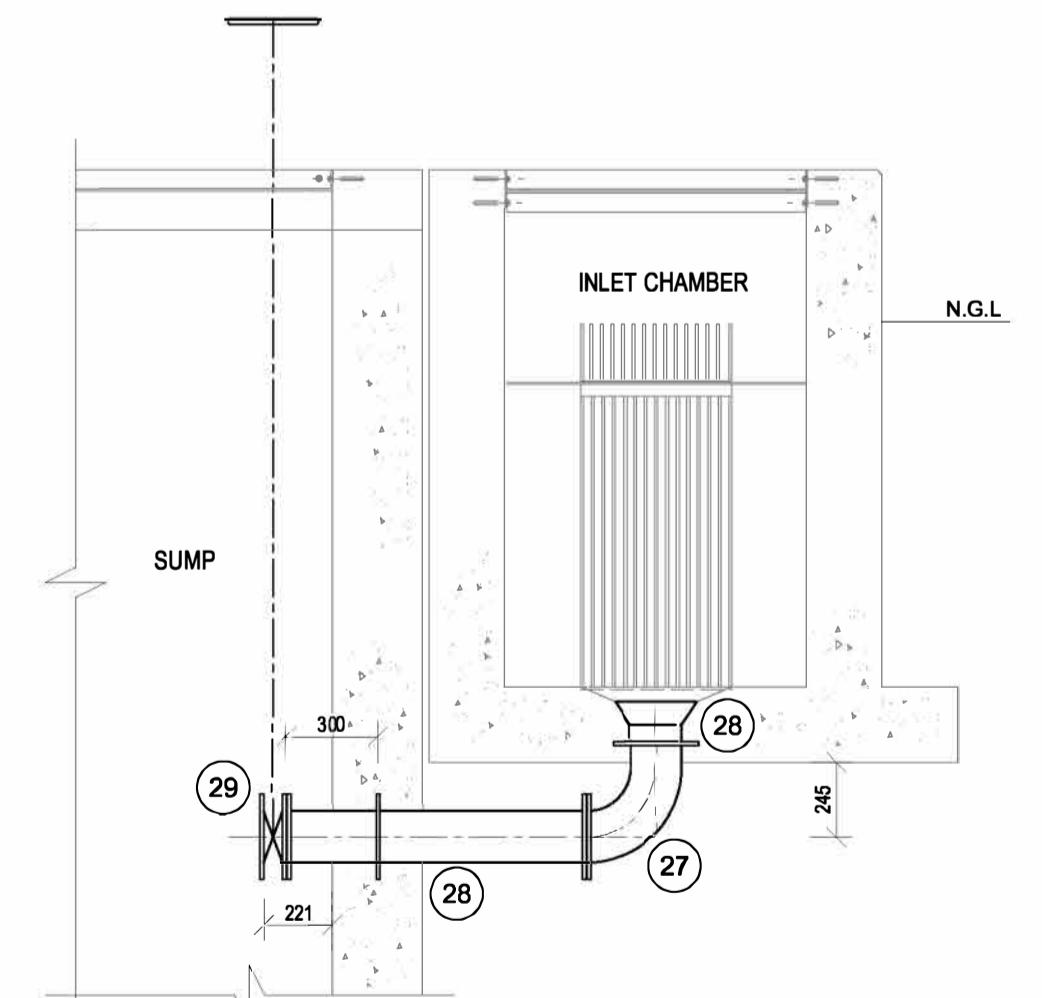


SUCTION PIPE : SECTION B-B
SCALE 1 : 25

INLET PIPE SCHEDULE				
ID	QTY	SIZE	DESCRIPTION	LENGTH
22	1	160mmØ	uPVC CLASS 34 SEWER MAIN	n/a
23	1	160mmØ	uPVC FLANGE ADAPTOR	n/a
24	1	150mmØ	FLANGE DISTAND PIECE WITH PUDDLE FLANGED	550mm
25	1	150mmØ	FLANGED KNIFE EDGE VALVE C/W EXTENDED SHAFT	2000m
26	1	150mmØ	PIPE BY 250mm Ø FLANGED BEVEL	216mm
27	1	150mm x 90°	FLANGED LONG RADIUS ELBOW	n/a
28	1	150mmØ	FLANGE DISTAND PIECE WITH PUDDLE FLANGED	990mm
29	1	150mmØ	FLANGED KNIFE EDGE VALVE C/W EXTENDED SHAFT	2600mm



INLET PIPE : PLAN VIEW
SCALE 1 : 25



INET PIPE : SECTION C-C
SCALE 1 : 25

NOTE/NOTA :
NO DIMENSIONS ARE TO BE SCALED OFF ANY DRAWINGS. ALL DIMENSIONS ARE TO BE RATIFIED ON SITE PRIOR TO ANY CONSTRUCTION.
GEEN AFMETINGS MAG VAN TEKENINGE GESKAAL WORD NIE. ALLE AFMETINGS MOET OP TERREIN NAGEGAAN WORD VOOR KONSTRUKSIE.

A BEFORE CONTRACT COMMENCES. VOOR KONTRAK IN AANVANG NIEEM.
A1 AFTER CONTRACT HAS COMMENCED. NA KONTRAK IN AANVANG GENEEM HET.
COPYRIGHT IS VESTED IN MVD KALAHARI IN TERMS OF THE COPYRIGHT ACT. (ACT 98 OF 1978)
Outeursreg is gevestig in MVD KALAHARI. KRAGTENS DIE WET OP OuteursREG. (WET 98 VAN 1978)

NO. NR.	DATE DATUM	AMENDMENTS WYSIGINGS

FOR DRAFT

CLIENT/KLIJNT
NAMA KHOI MUNICIPALITY
DRAWING DESCRIPTION/TEKENING BESKRYWING
PUMP STATION: PIPE SCHEDULE DETAILS

PROJECT/PROJEK
NABABEEP: ELECTRICAL AND MECHANICAL WORKS FOR THE NEW GAATJIE SEWER PUMP STATION
DESIGN ONTWERP: E. v den Berg
DRAWN GETEKEN: H. Leemans
CHECKED NAGEGAAN: B. Bentsley
CLIENT KLIJNT: ECSA 201370308
SCALE SKAAL: As Shown
DATE DATUM: Feb 2020

Du Toitpanweg 196 Du Toitpan Road
Postbus / P.O. Box 590, Kimberley 8300
Tel: (053) 831 1889/90
E-Mail: admin@mvdalahari.co.za
www.mvdalahari.co.za
Level 2 B-BBEE Contributor | ISO 9001:2008 Certified Company
DRAWING NO./TEKENING NR.
2994/1/C/B/P/002

MVD Kalahari
Raadgewende Ingenieurs en Stadsbeplanning.
Consulting Engineers and Town Planning.