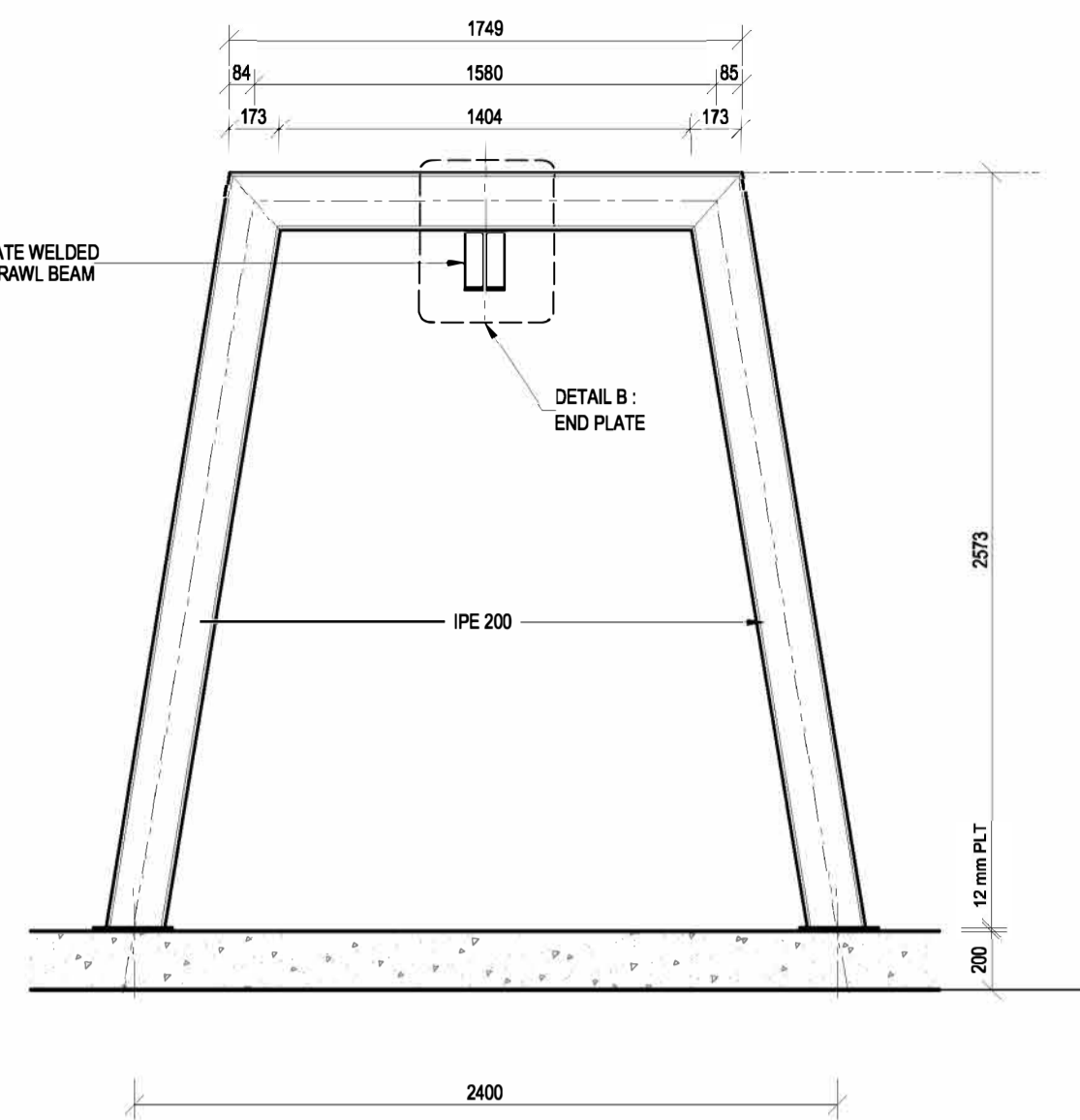
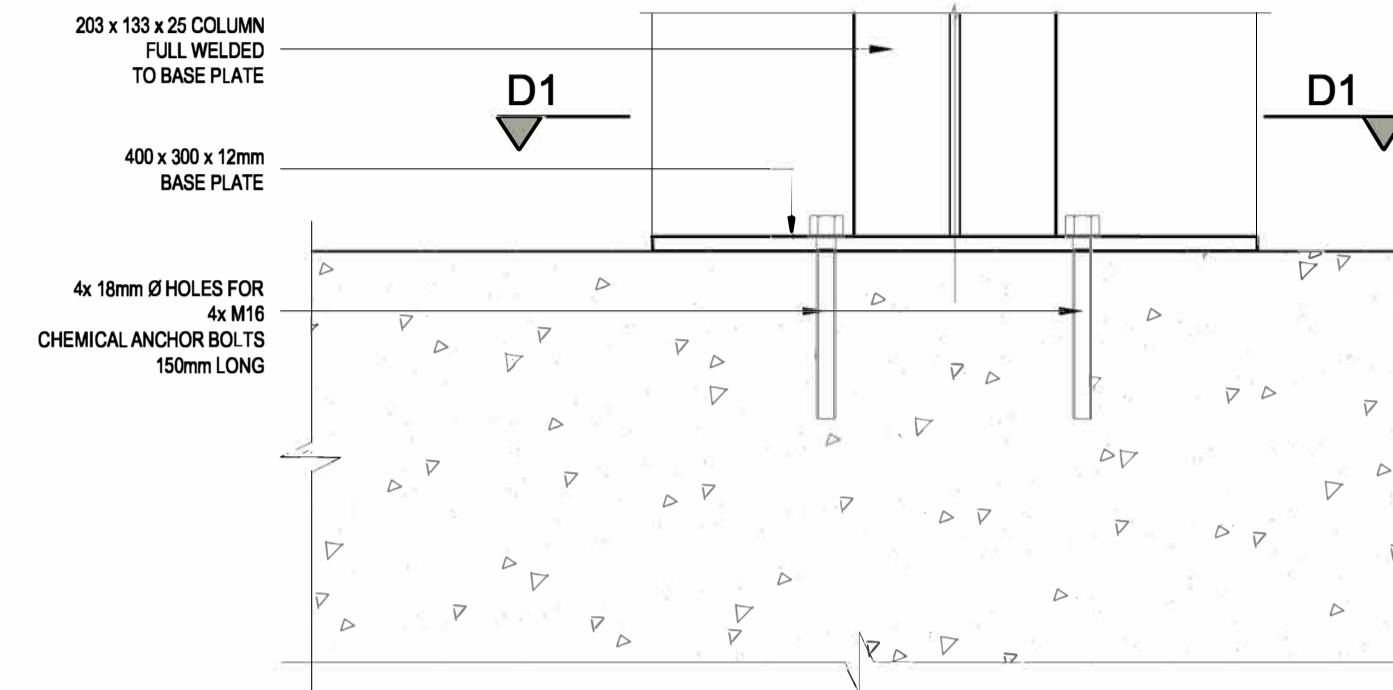


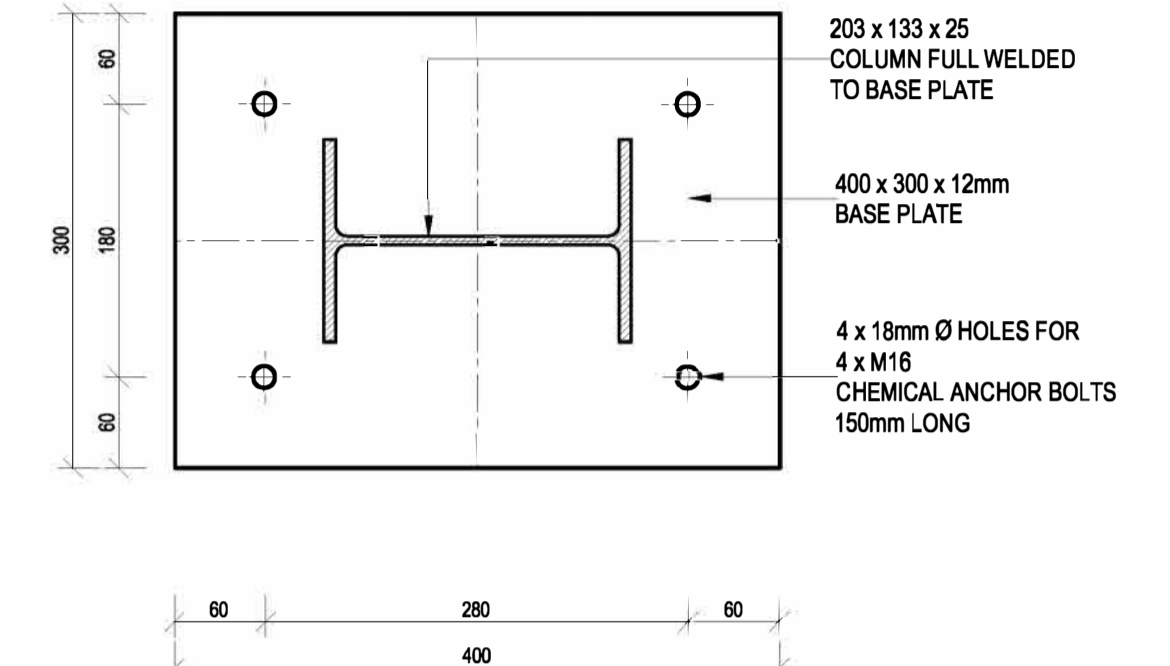
FRONT ELEVATION  
SCALE 1 : 25



SIDE ELEVATION  
SCALE 1 : 25



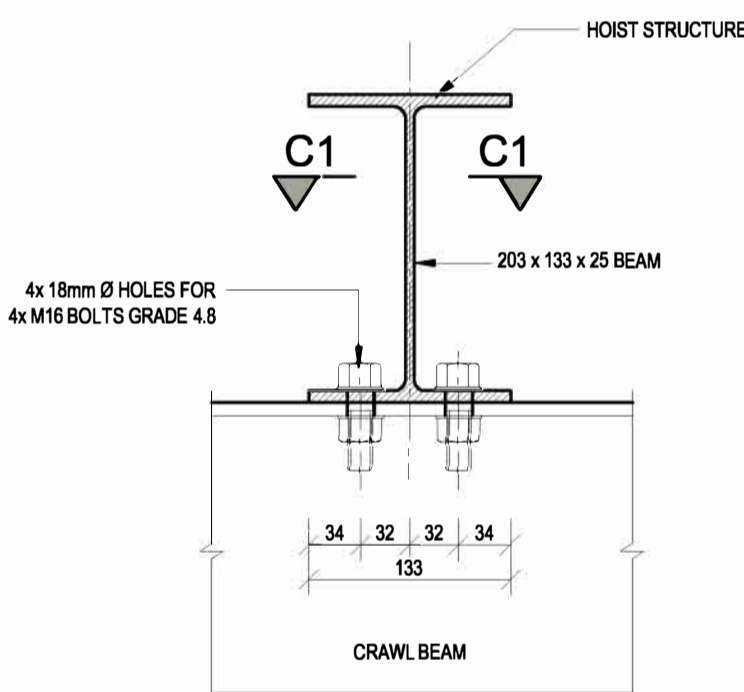
DETAIL D : BASE PLATE (4 OFF)  
SCALE 1 : 5



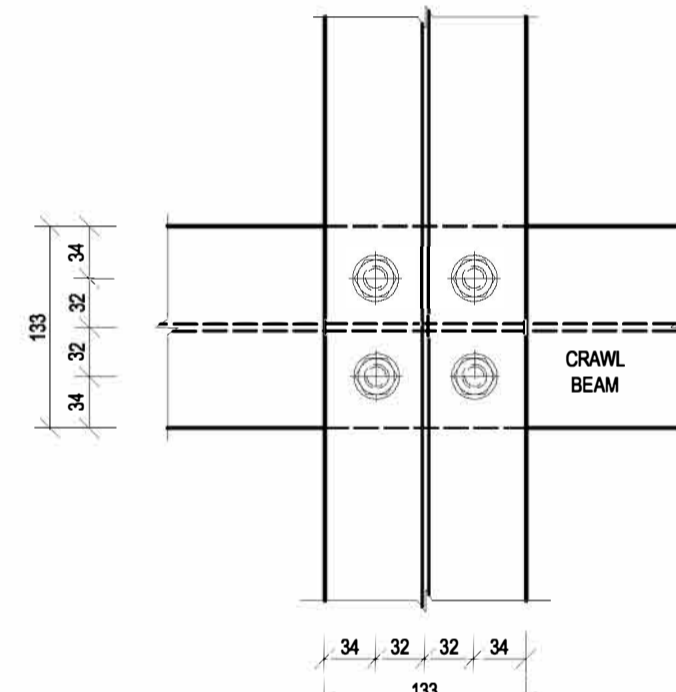
SECTION D1  
SCALE 1 : 5

NOTE:  
\* DIMENSIONS TO BE CONFIRMED WITH PUMP SUPPLIER

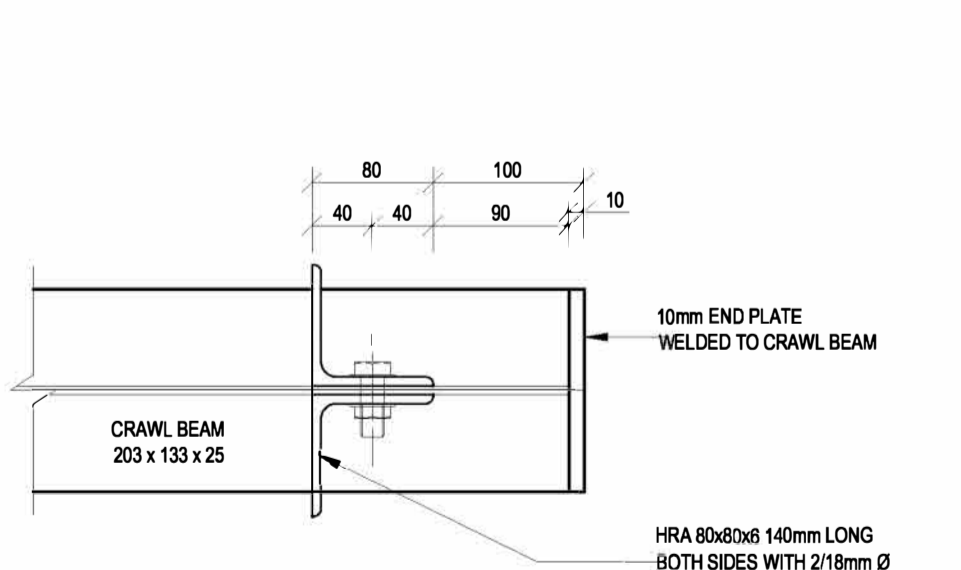
HOIST STRUCTURE



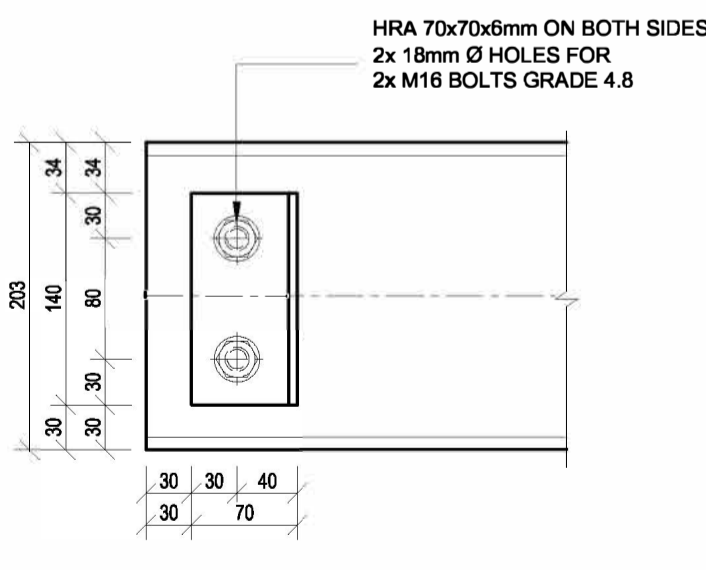
DETAIL C: ELEVATION  
SCALE 1 : 5



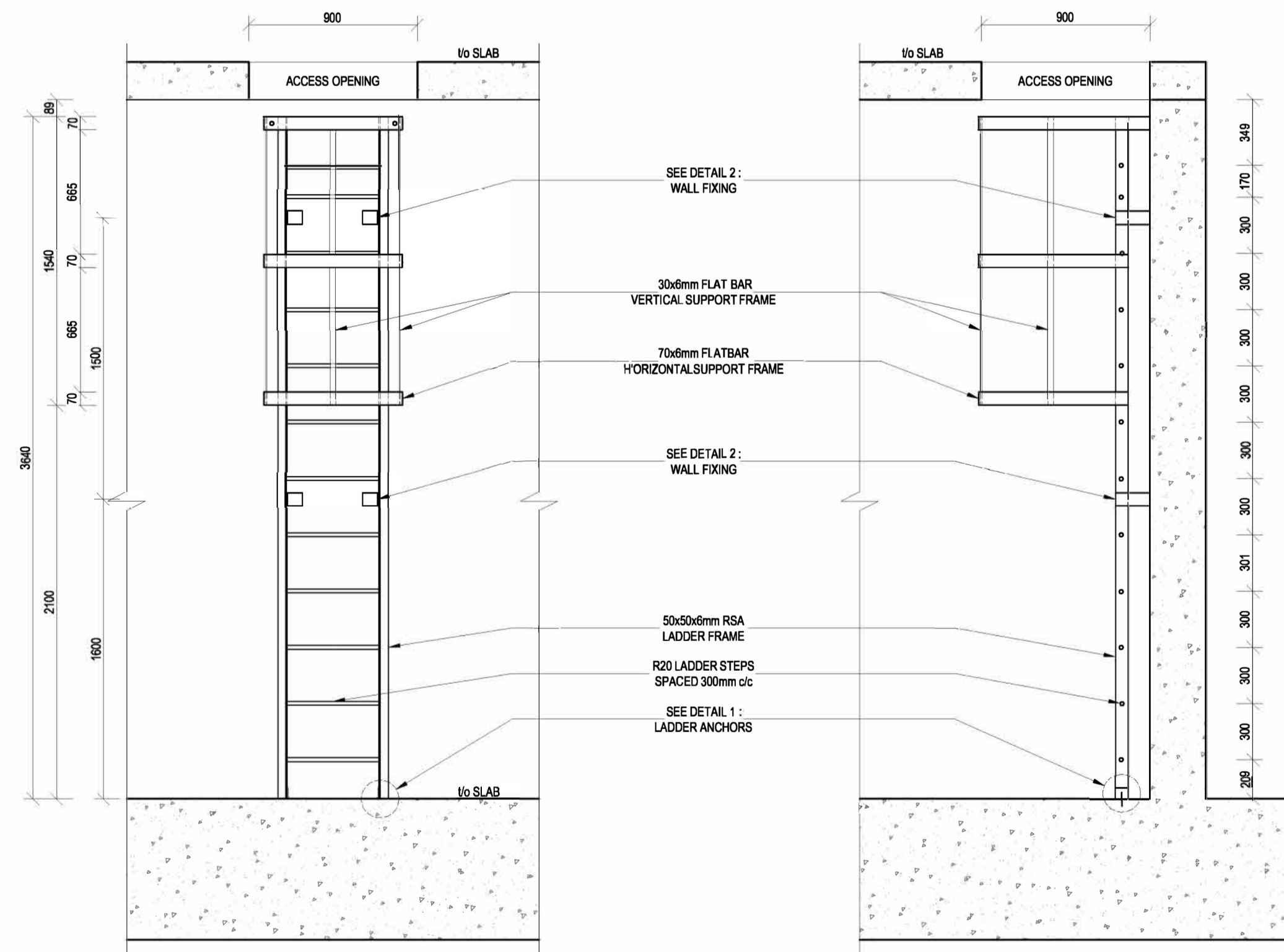
SECTION C1  
SCALE 1 : 5



DETAIL B : END PLATE  
SCALE 1 : 5



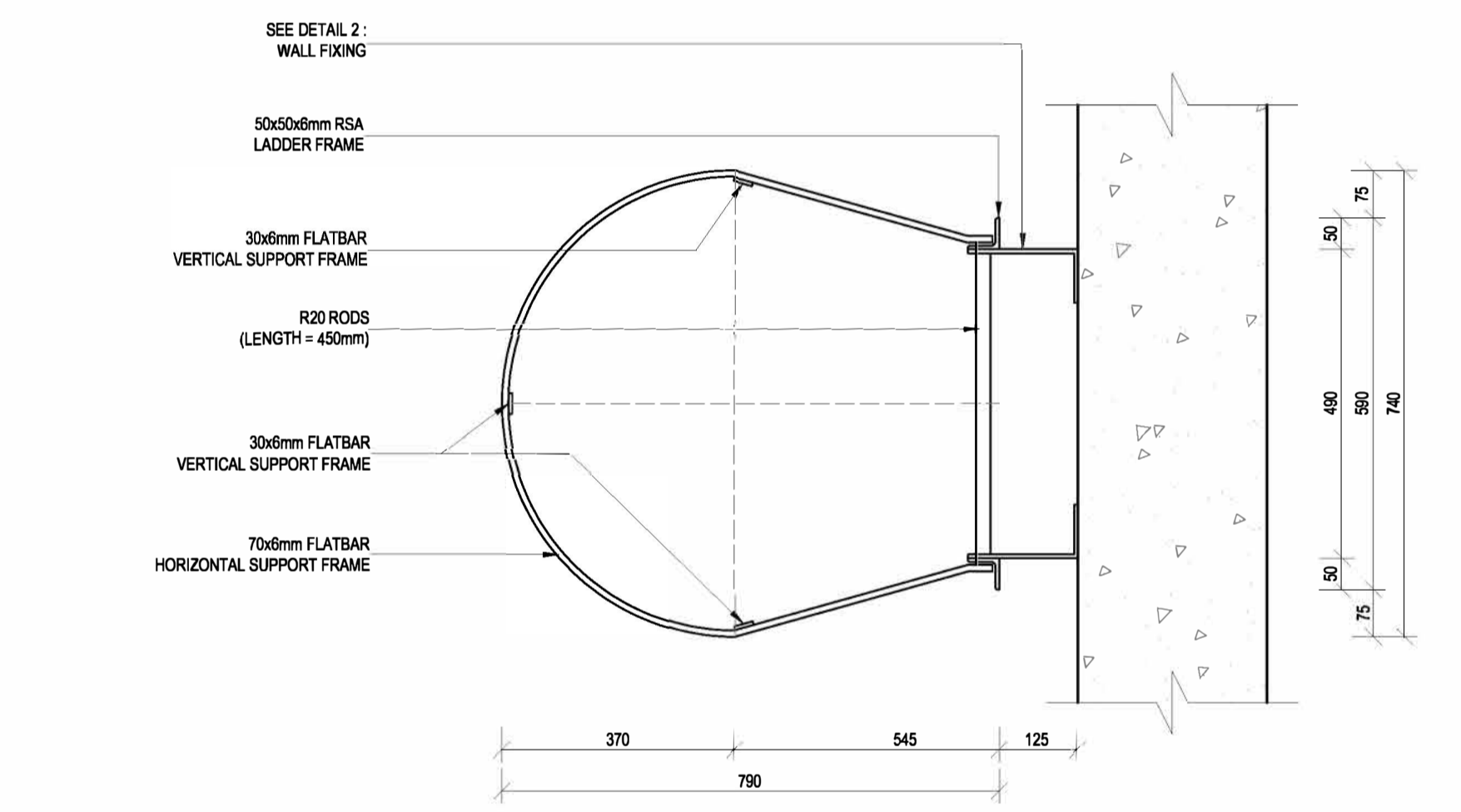
DETAIL A : END PLATE  
SCALE 1 : 5



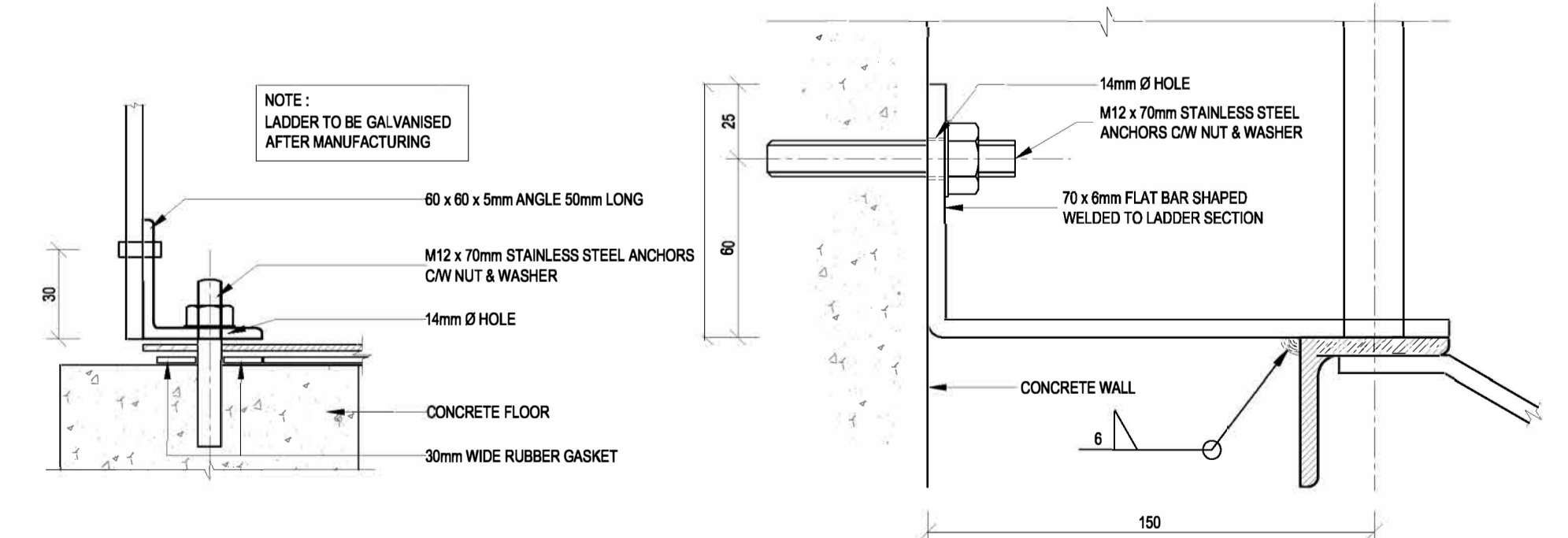
FRONT VIEW  
SCALE 1 : 25

SIDE VIEW  
SCALE 1 : 25

PUMP STATION CAT LADDER DETAIL



PLAN VIEW  
SCALE 1 : 10



DETAIL 1 : LADDER ANCHORS  
SCALE 1 : 2

DETAIL 2 : WALL FIXING  
SCALE 1 : 2

NOTE/NOTA :  
NO DIMENSIONS ARE TO BE SCALED OFF ANY DRAWINGS. ALL DIMENSIONS ARE TO BE RATIFIED ON SITE PRIOR TO ANY CONSTRUCTION.  
GEEN AFMETINGS MAG VAN TEKENINGE GESKAAL WORD NIE. ALLE AFMETINGS MOET OP TERREIN NAGEGAAN WORD VOOR KONSTRUKSIE.

A BEFORE CONTRACT COMMENCES. VOOR KONTRAK IN AANVANG NIEEM.  
A1 AFTER CONTRACT HAS COMMENCED. NA KONTRAK IN AANVANG GENEEM HET.  
COPYRIGHT IS VESTED IN MVD KALAHARI IN TERMS OF THE COPYRIGHT ACT. (ACT 98 OF 1978)  
Outeursreg is gevestig in MVD KALAHARI. KRAGTENS DIE WET OP OuteursREG. (WET 98 VAN 1978)

NO. NR.	DATE DATUM	AMENDMENTS WYSIGINGS

**FOR DRAFT**

CLIENT/KLIJNT  
NAMA KHOI MUNICIPALITY  
DRAWING DESCRIPTION/TEKENING BESKRYWING  
PUMP STATION:  
HOIST & CAT LADDER DETAIL

DESIGN ONTWERP	DRAWN GETEKEN	CHECKED NAGEGAAN	CLIENT KLIJNT	SCALE SKAAL	DATE DATUM
E. v den Berg	H..Leemans	B. Bentsley ECSA 201370308		As Shown	Feb 2020

PROJECT/PROJEK  
NABABEEP: ELECTRICAL AND MECHANICAL WORKS FOR THE NEW GAATJIE SEWER PUMP STATION  
Du Toitspanweg 196 Du Toitspan Road  
Postbus / P.O. Box 590, Kimberley 8300  
Tel: (053) 831 188990  
E-Mail: admin@mvdalahari.co.za  
www.mvdalahari.co.za  
Level 2 S-BBEE Contributor | ISO 9001:2008 Certified Company  
DRAWING NO./TEKENING NR.  
2994/1/C/B/D/001

**MVD Kalahari**  
Raadgewende Ingenieurs en Stadsbeplanning.  
Consulting Engineers and Town Planning.